

The Smart Electro-Mechanical Lubrication Unit

LUBCON REGISTERED



LUBCON® MicroMax 120

Optimum lubrication of bearings, ball screws, linear guides etc. during operation with a smart single point automatic lubricator. Lubrication of critical components in difficult to reach areas over long periods is possible with our self-sustaining electro mechanical grease pump.



Safety



Efficiency



Cost Savings



Reliability



The Electro-Mechanical Lubrication Unit

- ✓ economical
- ✓ robust and reliable
- ✓ long term lubrication

LUBCON® MicroMax 120

The Smart Electro-Mechanical Lubrication Unit



Modern Lubrication Providing Best Machine Performance and Reliability

■ Economical

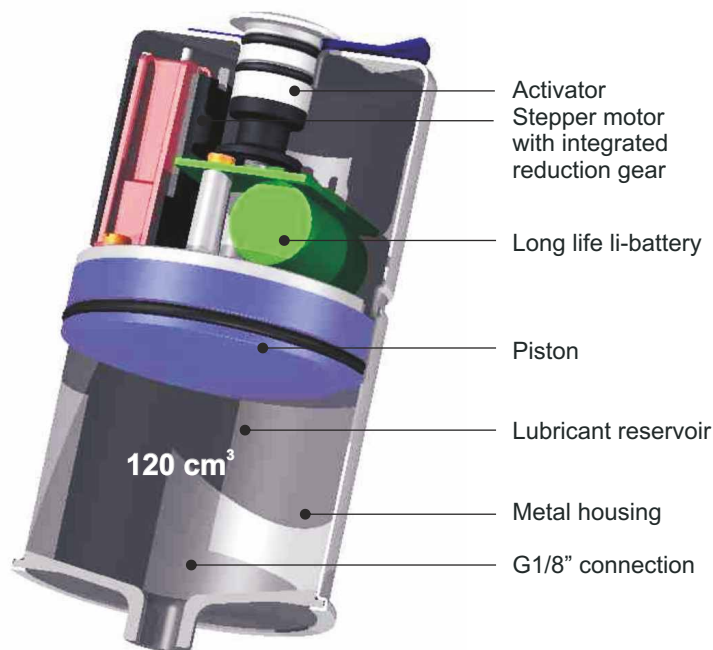
- ✓ easy installation and activation
- ✓ automatic lubricant supply 24/7
- ✓ optimal metering of the lubricant
- ✓ combination of high-performance lubricants and intelligent lubrication device
- ✓ battery driven, no external power needed

■ Robust and Reliable

- ✓ closed metal housing
- ✓ completely sealed unit
- ✓ performs in extreme environmental conditions (dust, water, heat)
- ✓ installation in any position

■ Lubrication Over Long Periods

- ✓ individually adjustable operating time
- ✓ possible operating range up to 36 months
- ✓ lubrication device for minimum quantities e. g. at 3 years operating time: 40 cm³ per year



LUBCON Lubrication System

The **MicroMax 120** is an electro-mechanical lubricator for automatic lubrication with grease or oil. The aluminum body of the **MicroMax 120** contains 120 cm³ lubricant. A linear advancing piston pushes the lubricant through the outlet to the lubrication point. The forward motion of the pistons is generated by a geared motor and a spindle drive.

The control of this motion and the activation and control of the gear motor is done by a micro processor. A fixed, non-removable lithium battery supplies the electronic circuit and the motor with energy. The maximum operating time of the **MicroMax 120** is 3 years.

Technical Data	MicroMax 120
Lubricant volume	120 cm ³
Feed rate	0,12 cm ³ /stroke
Operating time	individual up to 36 months
Suitable lubricants	oils, greases up to NLGI class 2
Dimensions (D x L)	63 mm x 122 mm
Fitting	G 1/8"
Housing material	aluminum
Maximum length of tube	2 m (6 ft)
Recommended tube diameter	6 mm (outer diameter), 4 mm (inner diameter)
Ambient operating	-20 °C* up to +70 °C / -4 °F up to +158 °F
Maximum feed pressure	10 bar / 145 psi
Protection class	IP68
Drive	electro-mechanical

*) Deep temperature limit is depending on the NLGI class



Accessories

- Mounting bracket with metal-rubber fixture
- Tube connector G 1/8"
- PA tube 6 x 4

LUBCON Service + Systems GmbH Lubrication Systems

Gutenbergstraße 13 · 63477 Maintal · GERMANY · P.O. Box 20 02 40 · 63469 Maintal · GERMANY
Tel.: +49 6109 7650-7700 · Fax: +49 6109 7650-7755 · Email: lub@lubcon.eu · www.lubcon.eu

This brochure only contains product information. For specific information please refer to our technical data and safety data sheets. The indications made represent the present state of development and knowledge of LUBCON Service + Systems GmbH which is subject to change without notification. The products are subject to severe controls of manufacture and comply in full with the specifications set forth by our company, but due to the multitude of different influencing factors, we cannot assume any warranty for the successful application in each individual case. Therefore, we recommend performing field tests. We strictly refuse any liability. The implementation of automatic lubrication systems does not discharge the user from the obligation to check regularly the lubrication points.